

CONTENTS

Important User Information	2	Installing the Door Handles (Optional)	3
General	2	Accessories	4
Manufacturer	2	Music Desk	4
Intended Use	2	Suspended Cymbal Holder	4
Warranty	2	Cymbal Cradle	4
Before You Begin	3		
Required Tools	3		

Please read and understand these Assembly Instructions before working with or using the Percussion Workstation.

Refer to the illustrations on the following pages. If you need additional information, write or telephone Wenger Corporation at the number below.

IMPORTANT USER INFORMATION

GENERAL

Copyright © 2012 by Wenger Corporation

All rights reserved. No part of the contents of this manual may be reproduced, copied, or transmitted in any form or by any means including graphic, electronic, or mechanical methods or photocopying, recording, or information storage and retrieval systems without the written permission of the publisher, unless it is for the purchaser's personal use.

Printed and bound in the United States of America.

The information in this manual is subject to change without notice and does not represent a commitment on the part of Wenger Corporation. Wenger Corporation does not assume any responsibility for any errors that may appear in this manual.

In no event will Wenger Corporation be liable for technical or editorial omissions made herein, nor for direct, indirect, special, incidental, or consequential damages resulting from the use or defect of this manual.

The information in this document is not intended to cover all possible conditions and situations that might occur. The end user must exercise caution and common sense when assembling or installing Wenger Corporation products. If any questions or problems arise, call Wenger Corporation at 1-800-887-7145.

MANUFACTURER

The Percussion Workstation is manufactured by:

Wenger Corporation
555 Park Drive
Owatonna, MN 55060
1-800-4WENGER (493-6437) • 1-507-455-4100
www.wengercorp.com

INTENDED USE

- This product is intended for indoor use in normal ambient temperature and humidity conditions — it must not be exposed to prolonged outside weather conditions.
- This product is intended to be assembled and used only as described in these instructions.

WARRANTY

This product is guaranteed free of defects in materials and workmanship for ten full years from date of shipment. A full warranty statement is available upon request.

BEFORE YOU BEGIN

- The Percussion Workstation is shipped almost entirely assembled.
To assemble, attach the few remaining components as outlined in these instructions.
- Read the complete assembly procedure before you begin.

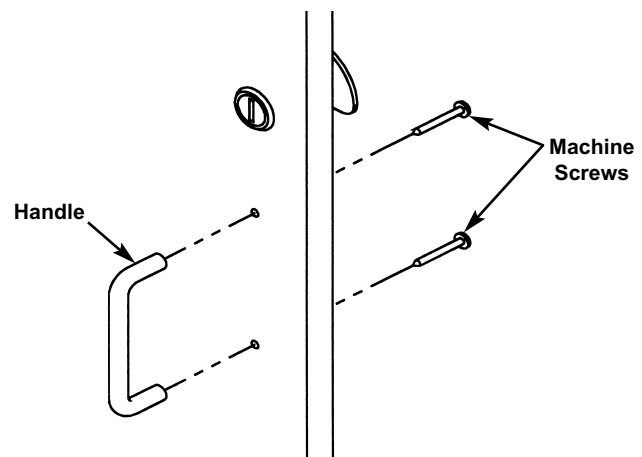
REQUIRED TOOLS

The following tools must be available to assemble the Percussion Workstation:

- Phillips Head Screwdriver

INSTALLING THE DOOR HANDLES (OPTIONAL)

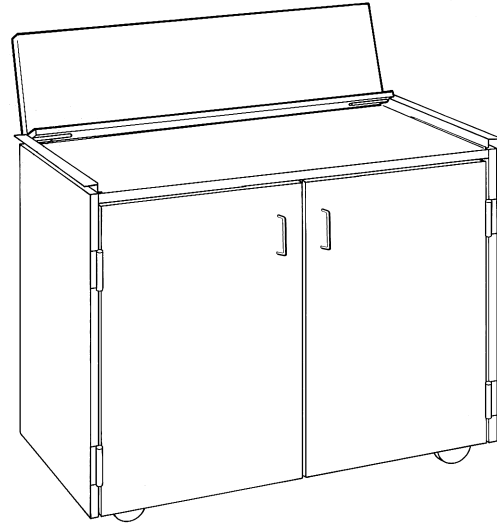
1. Attach one Handle to each Door as shown using two of the supplied Machine Screws using a Phillips Head Screwdriver.



ACCESSORIES

MUSIC DESK

- Permanently attaches to the work top and folds flat when not in use.
- Holds music for three or more people.
- Available in standard Wenger colors.

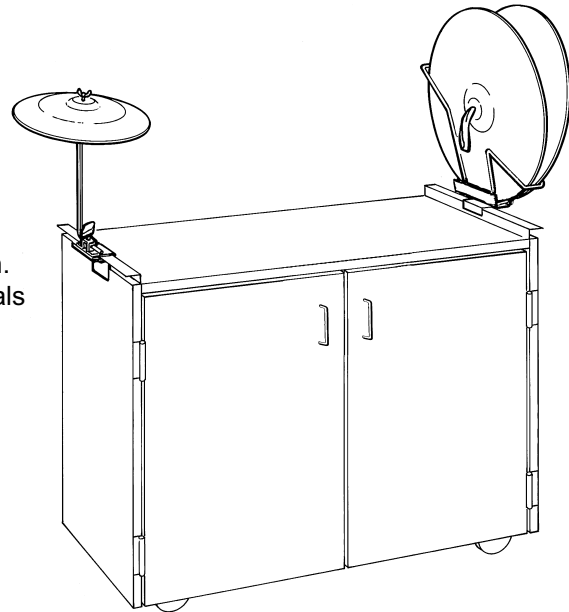


SUSPENDED CYMBAL HOLDER

- Adjustable cymbal height and angle.
- Vinyl-coated bracket clamps in the Percussion Workstation edge.

CYMBAL CRADLE

- Holds up to 22" cymbals in the ready-to-use position.
- Vinyl-coated cradle, which protects and holds cymbals quietly, clamps to Percussion Workstation edge.



Suspended Cymbal Holder and Cymbal Cradle are available as a set.